

## DOOR HOPPER

**DIMENSIONS** (mm)

H: 614 W: 431 D: 161

**WEIGHT** (kg)

28

**CONSTRUCTION**

Robust mild steel. Powder coated RAL 9001 cream.

**PART NUMBER**

013057

## MERIDIAN WALL HOPPER

**DIMENSIONS** (mm)

H: 749mm W: 565mm D: 387mm

**WEIGHT** (kg)

80

**PART NUMBER**

011683

**CONSTRUCTION**

Robust stainless steel. Staff side finished in black vinyl coated steel and exterior clad in exterior quality 316 stainless steel.

## HOPPER TRANSFER UNITS

Hopper Transfer Units are either wall or door mounted, manually operated modular units designed to provide secure transactions of bulk cash whilst ensuring that the cashier has total control over the transfer operations. Typical applications are cash offices, retail stores, CIT, banks, train stations and airports.

### MAIN FEATURES

- Quick and secure bulk cash transfer, controlled manually by the cashier
- Access from the public side is controlled from the staff side by a handle. The wall hopper is assisted by a gas spring
- Made to order
- A solution for both internal and external walls or doors
- Access from the public side is restricted, the design prevents the Hopper and internal doors being opened at the same time

### OPTIONAL

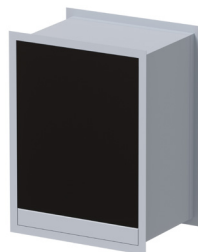
- Nationwide installation if required



DOOR HOPPER - BACK



DOOR HOPPER - FRONT



MERIDIAN WALL HOPPER - BACK



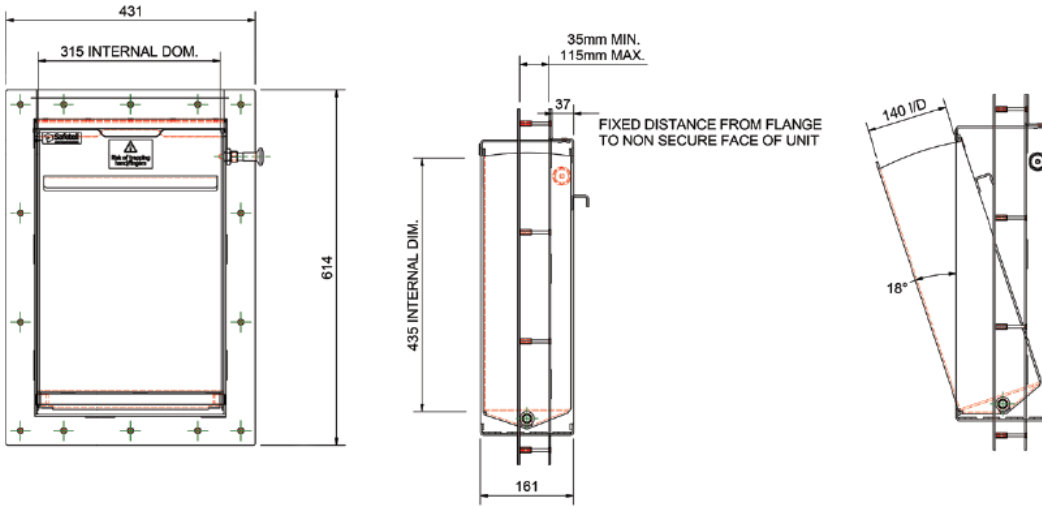
MERIDIAN WALL HOPPER - FRONT

SERVICE &  
MAINTENANCE  
AVAILABLE

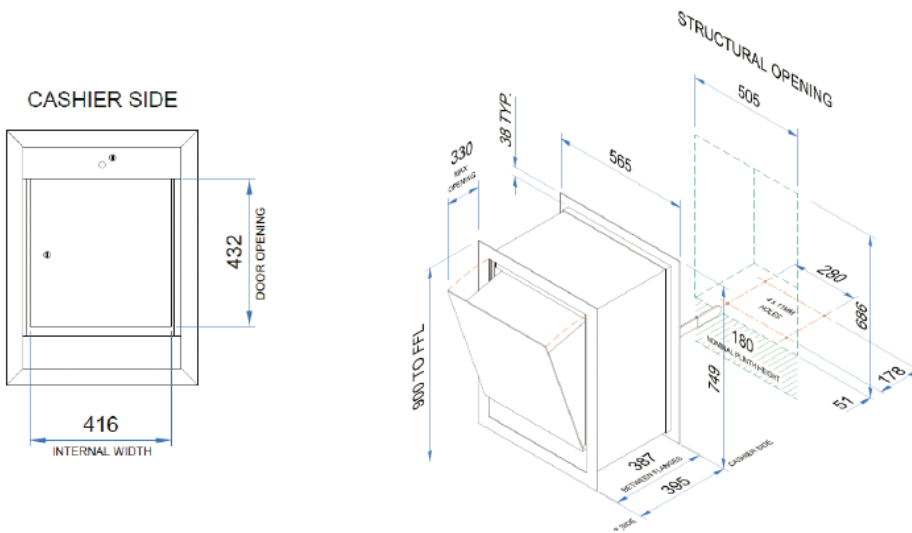
**+44 (0) 1322 223 233**

sales@safetell.co.uk safetell.co.uk

# TECHNICAL DRAWINGS



DOOR HOPPER



MERIDIAN WALL HOPPER

## WE ARE FULLY ACCREDITED



+44 (0) 1322 223 233

