

MERIDIAN 35

DIMENSIONS (mm)
 W: 470 H: 310 D: 615

WEIGHT (kg): 58

PART NUMBER: 011688

MERIDIAN 35HD

DIMENSIONS (mm)
 W: 513 H: 310 D: 610

WEIGHT (kg): 78

PART NUMBER: 013029

MERIDIAN 70

DIMENSIONS (mm)
 W: 428 H: 450 D: 650

WEIGHT (kg): 71

PART NUMBER: 011689

MERIDIAN 70HD

DIMENSIONS (mm)
 W: 475 H: 450 D: 650

WEIGHT (kg): 101

PART NUMBER: 011722

MERIDIAN 100

DIMENSIONS (mm)
 W: 508 H: 693 D: 600

WEIGHT (kg): 125

PART NUMBER: 012576

RESISTANCE
 BS EN 1063 BR 4 SG1

CONSTRUCTION
 Robust steel construction with gas springs on both doors. Heavy duty pivot hinges, incorporating oilite bearings. Powder coated RAL 7028 light grey.

MERIDIAN BULK TRANSFER UNITS

Safetell's Bulk Transfer Units enable the transference of cash or valuables into and out of a secure area without opening a door to the secure area. Typical applications include cash offices, retail stores, cash in transit and banks.

MAIN FEATURES

- A modular solution for the transfer of cash or valuables
- Provides safety of cash by only allowing either the inner or outer doors to be interlocked or open and both doors cannot be open or closed at the same time
- Standard sizes and models to suit most applications, many bullet resistant models
- Side hung or base hung doors, dependant on model
- Can be simply and easily implemented
- Standard versions 20-25 cycles a day
- HD version up to 50 cycles a day

OPTIONAL

- Nationwide installation if required



MERIDIAN 35



MERIDIAN 35HD



MERIDIAN 70



MERIDIAN 70HD



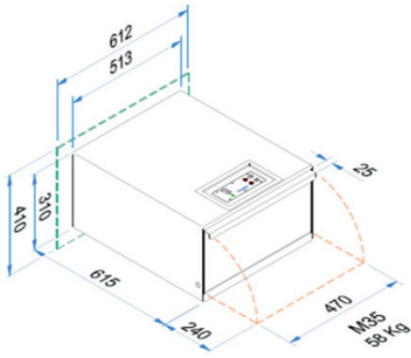
MERIDIAN 100

**SERVICE &
 MAINTENANCE
 AVAILABLE**

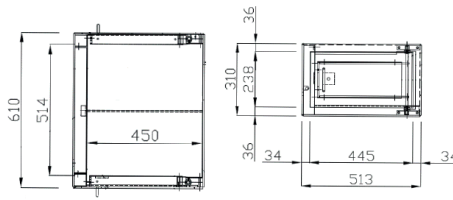
+44 (0) 1322 223 233

sales@safetell.co.uk safetell.co.uk

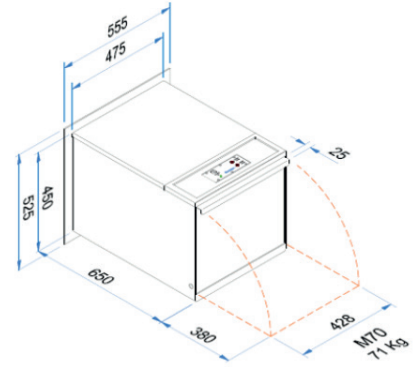
TECHNICAL DRAWINGS



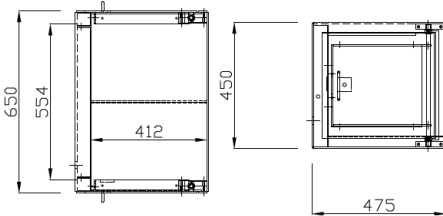
MERIDIAN 35



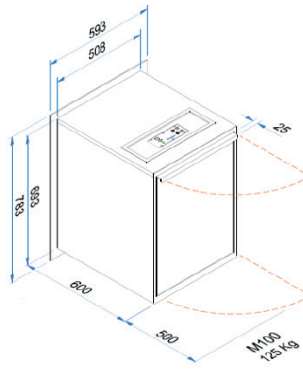
MERIDIAN 35HD



MERIDIAN 70



MERIDIAN 70HD



MERIDIAN 100

WE ARE FULLY ACCREDITED



+44 (0) 1322 223 233

sales@safetell.co.uk safetell.co.uk



Safetell
SECURITY | MAINTENANCE