

CIRCLE PORTAL OPTIONAL FB4 & RC4

OVERALL DIMENSIONS Ø x H (mm)
 1050 x 2350 600 Passage
 1150 x 2350 700 Passage

WIDTH OF PASSAGE (mm)
 600 or 700

FLOOR THICKNESS (mm)
 Standard Base 65
 Slim base 20

WEIGHT (kg)
 Standard Base 800
 Slim Base 900

STANDARD GLAZING
 EN1063 BR3/S
 EN365 P6B

**Optional DDA Portal
 Datasheet Available
 on Request**

DATASHEET

SAFETELL SECURITY PORTALS

CIRCLE PORTALS

A high security solution to control entry and exit to internal secure areas. Available as circle, square and larger DDA units to meet existing building aesthetics and client needs. Our Security Portals offer single person passage checking and abandoned object detection systems with range of passage widths available, including a DDA approved wide version. Available with a range of security resistance levels including EN1627 RC4 Manual Attack rating and EN1522 FB4 Ballistic Rating. Our Security Portals are designed to be integrated with any access control system.

MAIN FEATURES

- SA247 and SA248 are pre-built, SA249 is a removable structure
- Weighing floor system (abandoned object detection, weight higher than 200 grams)
- Single person detection (anti-hostage system)
- Paint finish is embossed, according to RAL colour scale, or Stainless Steel covering
- Traffic light panels & multilingual automated voiceover for transit communications
- Portal console with digital display and menu-guided commands
- Throughput is dependant on model and accessories

OPTIONAL

- Emergency exit management
- Camera
- Card reader
- Infrared sensor for presence monitoring
- Biometric registration system - Biobank
- Anti-masking system face detection
- CEIA metal detector
 - Metal detector CEIA 02PN8HIPE/CF
 - Metal detector CEIA 02PN8HIPE

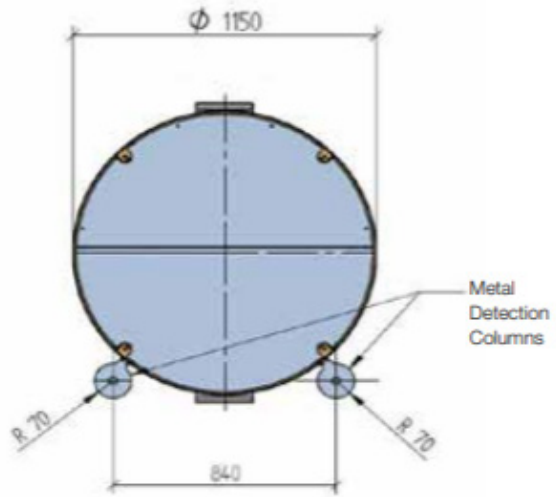
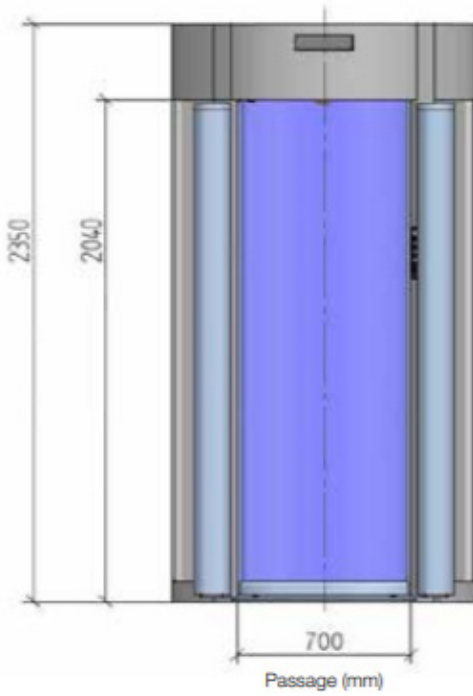
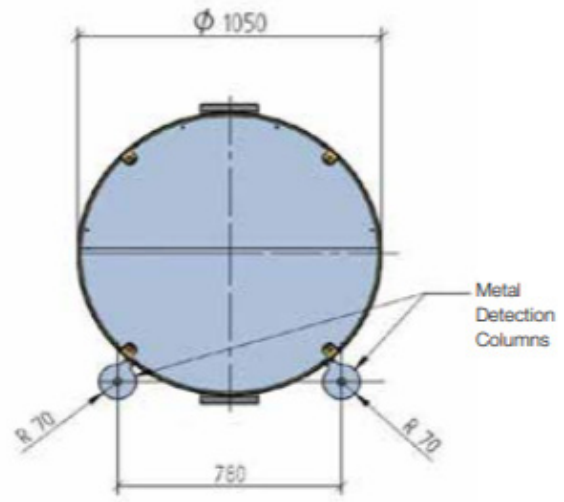
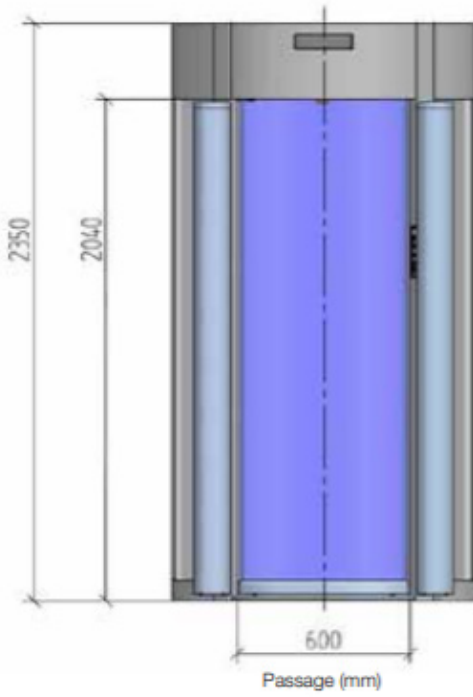


Circle Security Portals

**SERVICE &
 MAINTENANCE
 AVAILABLE**

+44 (0) 1322 223 233

sales@safetell.co.uk safetell.co.uk



WE ARE FULLY ACCREDITED



+44 (0) 1322 223 233

sales@safetell.co.uk safetell.co.uk



Safetell

SECURITY | MAINTENANCE