



PRODUCT DATASHEET

FLIP TOP TILLS

SECURE ELECTRIC AND MANUAL CONTROL TILL UNITS

APPLICATIONS

- Retail
- Banks
- Rail Ticket Offices
- Petrol Forecourt
- Local Authorities
- Leisure industry
- Fast Food

Protect and secure cashier cash floats and takings in your business with Safetell Flip Top Tills.

- Highly robust steel construction and external security keylock to secure the cash within
 - The flip open till lid is designed to shield cash within the till and thereby reduce the opportunity both for viewing the amount of cash within the till and snatch by potential aggressors
 - Standard off-the-shelf solutions or custom solutions made to match project requirement are available
 - Rugged high quality design for commercial use
-



Safetell
SAFETY SECURITY PROTECTION



GENERAL ENQUIRIES:

+44 (0) 1322 22 32 33

sales@safetell.co.uk

Safetell.co.uk

// FLIP TOP TILLS

All Safetell Flip Top Tills contain a removable, lockable steel cash box for individual cashier floats. Notes are separated by tabbed dividers. Coins are stored loose in pre-formed bowls.

Additional cashboxes are available for multiple cashier, fast service change over, and enhanced float security operations. Custom banknote and coin configurations are available on request.

Safetell Flip Top Tills are either electronic control with lid left open alarm, or manual control.

Available from Stock

The standard Safetell Flip Top Till models available from stock (subject to demand) are:

- 009093 - Safetell 322mm wide, electronic control Flip Top Till with 20second till open alarm
 - 011042 - Safetell 322mm wide, manual control Flip Top Till
- Both of the above till models contain 8 coin bowls and 4 banknote sections as shown in the adjacent image

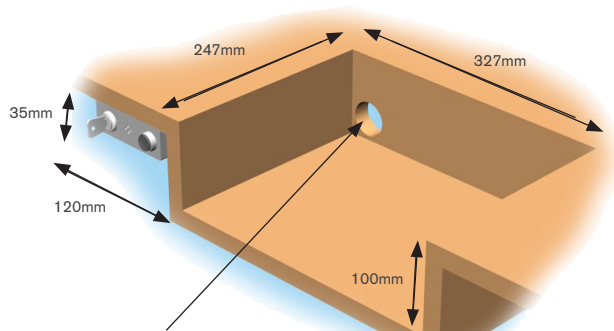
- 010836 - Additional cashbox for either of the above till models
- 012662 - Optional mounting cradle for either of the above till models

For custom size or configuration Flip Top Till variants call Safetell T: 01322 22 32 33

Counter Requirements

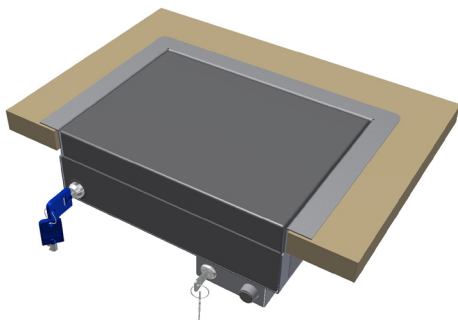
Safetell Flip Top Tills can be fitted to counterwork using either an optional mounting cradle or directly to counterwork by virtue of counterwork design mount aperture shown below

Till mounted using counterwork design



40mm aperture for cable and power connectors for electronic control model only

Till mounted using optional cradle



Power Supply (Electronic Control Model Only)

The electronic Flip Top Till requires:

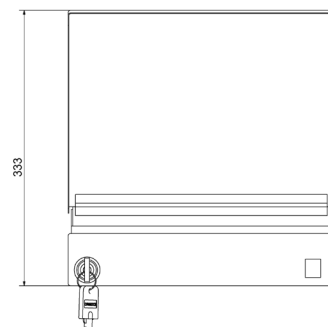
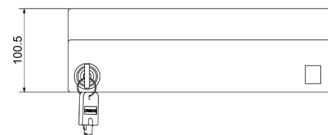
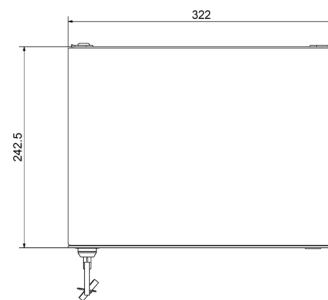
- 230Vac-12Vdc
- 6VA Standby
- 12VA Operating

In event of power failure, a mechanical over-ride key is supplied with the Flip Top Till to allow for continued usage.



Safetell 322mm Flip Top Tills are pictured above and diagram below

Dimensions



Safetell 322mm Flip Top Tills diagram
Safetell 322mm Flip Top Tills - Boxed Weight 9kg