



Safetell

SAFETY SECURITY PROTECTION

Safetell Bullet Resistant Doors



Safetell Bullet Resistant Doors

Design

The Safetell Bullet Resistant anti-intrusion door has been designed and certified to meet the most exacting of standards and address the increasing security demands of customers who want to protect their assets and facilities.

Our range consists of three levels of security providing comprehensive protection from physical and ballistic attack to G1 or G2 BS 5051.

In addition, the Safetell Level 3 door can be certified to FB3 protection and the Level 4 door to FB4, all in accordance with EN 1522 level of ballistic security resistance.

All Safetell Bullet Resistant doors are versatile enough to be manufactured in many sizes, colours and with a number of different levels of security locking options, from a basic mortise lock to a full safe lock.

The doors are independently tested to provide up to 4 hour fire rating to offer an even greater level of flexibility and performance.

Certification

The Safetell Bullet Resistant door range consists of three levels of security providing comprehensive protection from physical and ballistic attack to G1 or G2 to BS 5051.

The Level 3 & 4 doors can also offer FB3 and FB4 to EN 1522 level of ballistic security resistance respectively.

Fire Rating

Safetell Bullet Resistant doors can also offer performance in fire rating to BS476 (part 22). Each door in the range provides progressively longer fire rating levels.

- Level 2 = 2 Hour Rating
- Level 3 = 3 Hour Rating
- Level 4 = 4 Hour Rating

Locking

A wide range of locking options are available on Safetell Bullet Resistant doors.

Construction

Safetell Bullet Resistant doors are constructed from 16 SWG (Standard Wire Gauge), 1.6mm thick 'zintec' steel sheet material and formed with Dutch-folded seams. The doors are assembled with a bonded honeycomb core prior to welding. Hinge and lock-mount reinforcements are incorporated prior to spray priming / finishing.

The frame can be formed of 'zintec' steel that is supplied as a bolt together set or alternatively it can be formed of a rectangular welded hollow section. All hinge cut-outs and lock mortises are reinforced prior to spray priming / finishing.

The additional security protection offered by Safetell Level 3 and 4 includes major reinforcement of the working points and frame sections combined with hinge bolt locations. The Level 4 door utilises a heavy duty continuous hinge.

FEATURES

- Physical and ballistic attack to G1 or G2 to BS 5051
- Safetell Bullet Resistant doors can also provide FB3 and FB4 to EN 1522 level ballistic protection
- Safetell Bullet Resistant doors can offer performance in fire rating to BS476 (part 22). Each door in the range provides progressively longer fire rating levels
- Locking options include standard Mortise, TESA, Surelock McGill and Assa Mico
- Doors are factory primed as standard, with a range of RAL/ BS colour options available

OPTIONS

- A range of standard locking options are available
- Range of sizes for single and double door sets available
- Vision panels with a choice of glazing can be integrated into the door
- A range of door furniture and door closers can be supplied

Safetell Bullet Resistant Doors

Certified Locking

Certified locking is provided by use of Surelock McGill locks to meet G1 or G2 to BS 5051 and FB3 and FB4 to EN 1522 level of ballistic security resistance.

All doors can be manufactured and fitted with a number of locking options, offering a wide range of security levels, from a basic mortise lock to a safe lock.

These include:

- Mortise Locks
- TLP3 TESA 3
- Point Lock
- TLB3 Tesa Multi – Point
- Panic Bars
- Surelock McGill
- Assa Mico

Security

The doors in the Safetell Bullet Resistant Door range can offer protection against a number of different types of physical and ballistic attack.

Safetell Level 2 Doors: G1 and G2 to BS 5051 level certified door

- Tools used: junior hacksaw, hand screwdrivers, pliers, claw hammer, hand drill with 6mm carbide bit, 300mm tubing
- Attack level: a more determined opportunist attack by bodily force and tools with higher mechanical advantage
- Applications: industrial, offices, schools with no real gain to the criminal but possible vengeful attack and the opportunity to steal minor equipment for re-sale

Safetell Level 3 Doors: FB3 EN 1522 level certified door

- Tools used: all as previous plus 700mm crowbar, 7v power drill with 10mm carbide bit, 400mm hammer, 350mm axe, butane gas torch, scissor jack and a selection of chisels and bolsters
- Attack level: deliberate forced entry of well-protected premises using bodily force and a wide selection of attack options
- Applications: industrial, commercial, offices, schools with valuable re-sellable property such as computers, tobacco, spirits, and electrical equipment held on the premises in a smaller scale

Safetell Level 4 Doors: FB4 EN 1522 level certified door

- Tools used: all as previous plus 12v disc grinder, 3kg sledge hammer, 500mm tube, saw, 3kg fire axe, 12v power drill, 50mm hole saw, 300mm plate shears, 500mm bolt cutters and 150mm steel wedges
- Attack level: experienced attack by criminals
- Applications: industrial, commercial, warehouses, large retail stores and offices with major source of valuables such as spirits, tobacco, pharmacies, jewellery, electrical goods, all of which are stored in a large scale

Finish

Doors are factory primed as standard but can be produced in accordance with customer specification; spray painted to all RAL colours, powder coated or manufactured with an anti-graffiti paint finish.

Site Preparations

The doors are supplied with integral frame fixing points and are designed to be installed into prepared openings made ready for installation. Safetell recommended that doors open outwards against the line of attack.

If the installation location does not have sufficient wall width to support the unit Safetell can provide wall enhancement with CityWall.

APPLICATIONS

- Cash retail environments, police stations, cash offices, warehouses, ATM room doors, utilities, leisure centres, banks, schools, colleges and universities

OPTIONS

Outside of certification:

To complement the various finishes available Safetell offer a number of options to give a functional, decorative appearance.

The extensive range of accessories enables Safetell doors to be incorporated into virtually any environment.

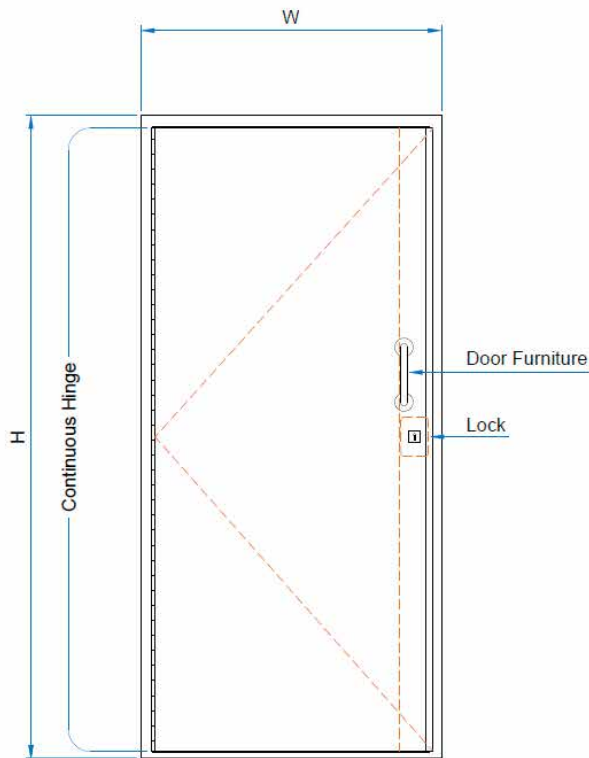
The following accessories are available on all Safetell Bullet Resistant doors:

- Vision Panels
- Louvres
- Over Panels
- Electrical Locking
- Overhead Closer
- Monitoring
- Various Handles / Furniture
- Kick/Push Plates
- Sills
- Stainless Steel Fittings
- Weather seal pack to enable the external application of doors

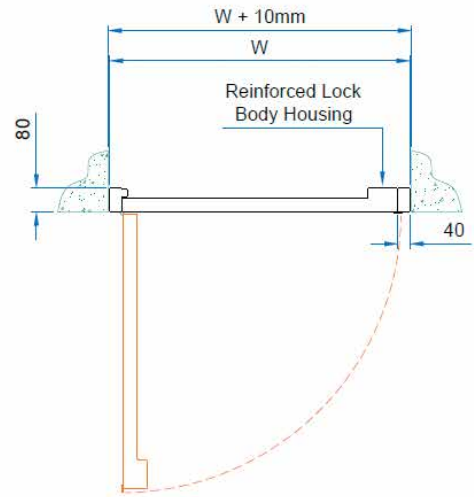


Safetell
SAFETY SECURITY PROTECTION

Safetell Bullet Resistant Doors



Front Elevation



Plan Elevation

- Structural opening to be W and H of o.a door frame +10mm
- Doors available in left & right hand opening

Tel: +44 (0) 1322 22 32 33

Email: sales@safetell.co.uk Web: www.safetell.co.uk

Safetell, 46 Fawkes Avenue, Dartford, Kent DA1 1JQ

VER: 24/03/2015



Safetell

SAFETY SECURITY PROTECTION