

INSTALLATION

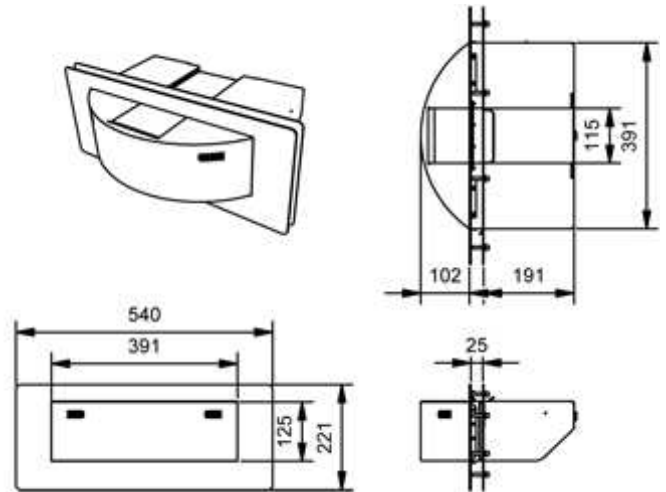
Both units are designed to be clamped to a vertical surface no more than 25mm thick.

A simple rectangular cut-out is required for each unit, no other support is required. When installed through a shop window, the unit will require a pedestal for support. Once in place, the unit is secured using a stainless steel back plate.

CASH UNIT DIMENSIONS

Cash scoop is sloped on both sides to aid removal of items by both staff and customer.

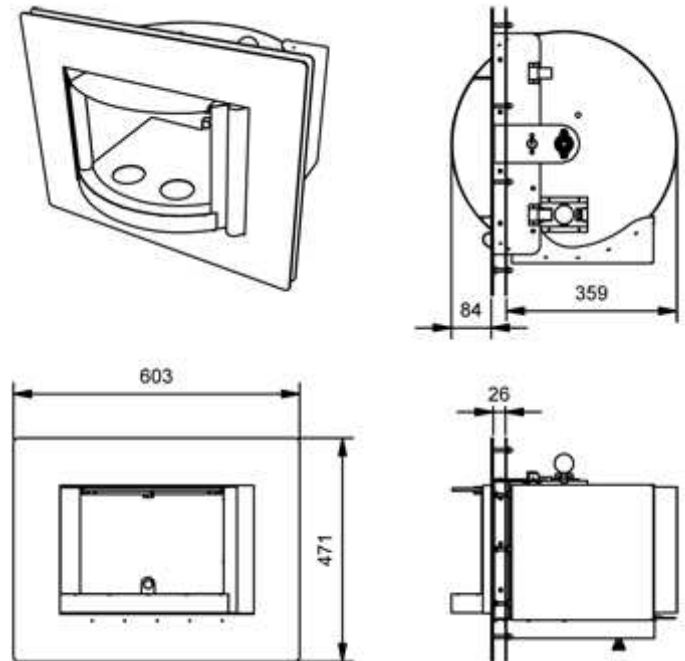
Tray is 115mm wide and 50mm deep at the deepest point.



TRANSFER UNIT DIMENSIONS

Internal drum dimensions:

W = 325mm
H = 210mm
D = 310mm



OTHER PRODUCTS/SERVICES

Safetell also supplies Cash Handling equipment - RollerCash TRIO, RollerCash 405/805 and BiDi Safes - and a range of Bullet and Attack Resistant screens - Eclipse, CounterShield, Eye2Eye & FlexiGlaze.

Safetell Limited, Unit 46, Fawkes Avenue, Dartford, Kent DAI 1JQ
Tel +44(0)1322 223233 Fax +44(0)1322 277751 Web www.safetell.co.uk E-mail secure@safetell.co.uk

Issue 1
April 2009