

**SAFETELL**

# SafeServe

The Safetell SafeServe provides secure transfer of merchandise, payment systems and other items through a fixed screen.

## INTRODUCTION

SafeServe is a two part system that provides a safe and secure method of transacting goods and payments through a fixed barrier. It is ideal for any business that wishes to transact in a potentially unsafe environment either due to location, time of day, manner of service or goods being provided.

## APPLICATIONS

- Fast Food
- Petrol Retailer Night Pay
- Pharmacy
- Convenience Stores
- Off-licences
- Budget Hotels

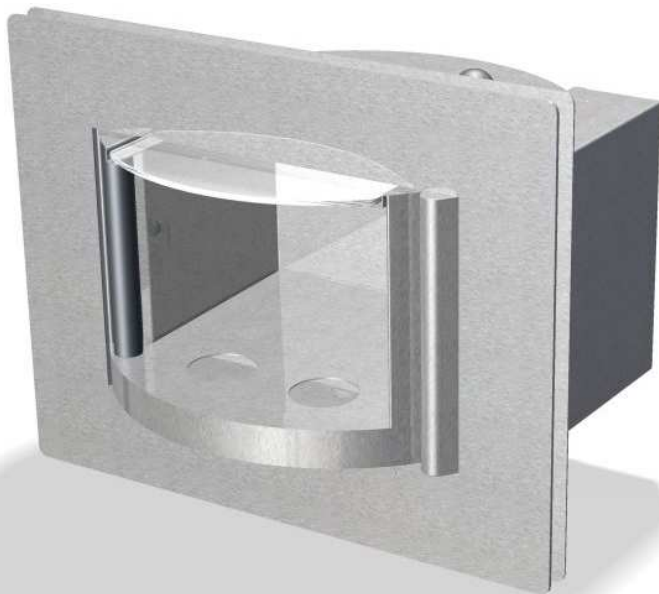
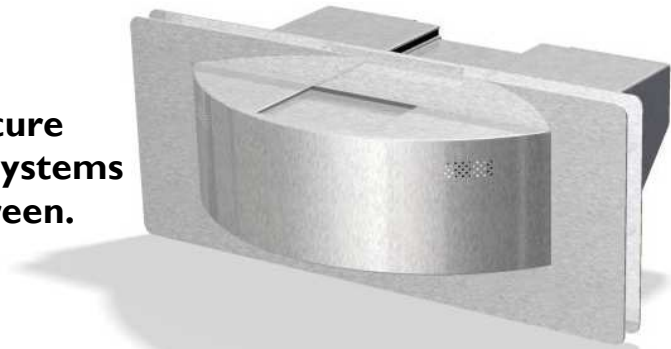
## FEATURES

- Easy to clean, food safe.
- Vandal resistant.
- Large load space (Transfer Unit).
- Integral active speech transfer (Cash Unit).
- Sliding cover to prevent 'reach through' attack (Cash Unit).
- Lockable to prevent access from outside when not in use.
- Simple operation. Sliding cover (Cash Unit) and rotary drum (Transfer Unit)
- Weather and wear resistant stainless steel construction.

## OPERATION

Communication, payment and small item transactions take place at the Cash Unit. Adjustable active speech transfer allows clear communication with the customer and a simple pass tray allows payments or small items to be transferred. A simple sliding cover prevents the staff and customer coming into direct contact.

Larger items are placed into the transfer unit which is then rotated to the customer by means of a single handle on the top of the unit. The drum is latched in both the open and closed positions, preventing movement by the customer.



SAFETELL  
SAFE  
SERVE  
SAFETY  
SHIELD  
S  
SAFE  
SERVE  
SAFETY  
SHIELD  
S  
SAFE  
SERVE  
SAFETY  
SHIELD  
S

## INSTALLATION

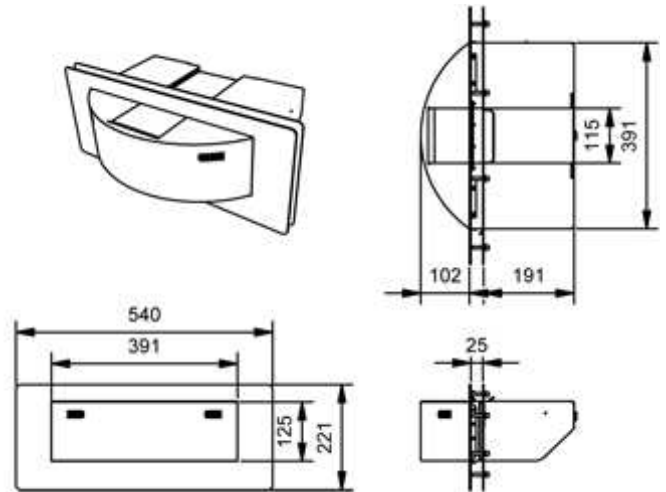
Both units are designed to be clamped to a vertical surface no more than 25mm thick.

A simple rectangular cut-out is required for each unit, no other support is required. When installed through a shop window, the unit will require a pedestal for support. Once in place, the unit is secured using a stainless steel back plate.

## CASH UNIT DIMENSIONS

Cash scoop is sloped on both sides to aid removal of items by both staff and customer.

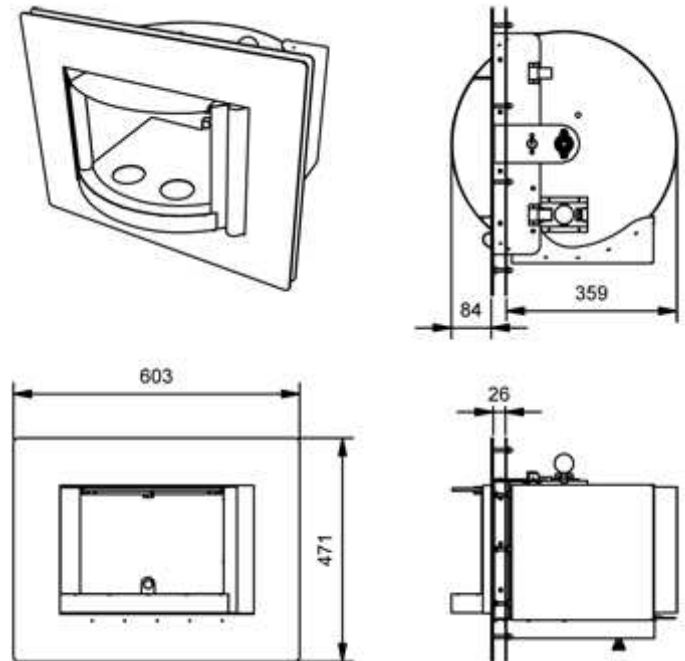
Tray is 115mm wide and 50mm deep at the deepest point.



## TRANSFER UNIT DIMENSIONS

Internal drum dimensions:

W = 325mm  
H = 210mm  
D = 310mm



## OTHER PRODUCTS/SERVICES

Safetell also supplies Cash Handling equipment - RollerCash TRIO, RollerCash 405/805 and BiDi Safes - and a range of Bullet and Attack Resistant screens - Eclipse, CounterShield, Eye2Eye & FlexiGlaze.

Safetell Limited, Unit 46, Fawkes Avenue, Dartford, Kent DAI 1JQ  
Tel +44(0)1322 223233 Fax +44(0)1322 277751 Web [www.safetell.co.uk](http://www.safetell.co.uk) E-mail [secure@safetell.co.uk](mailto:secure@safetell.co.uk)

Issue 1  
April 2009